

Weight Indicator

FEATURES

- High performance and long-term reliability
- Assembly “snap-on” DIN rail (certified to EN50022 standards)
- Able to interface with intrinsically safe barriers for use in hazardous areas

OPTIONS

- Ethernet version available
- RS485 full duplex output available
- PROFINET version available

APPLICATIONS

- Various industrial systems

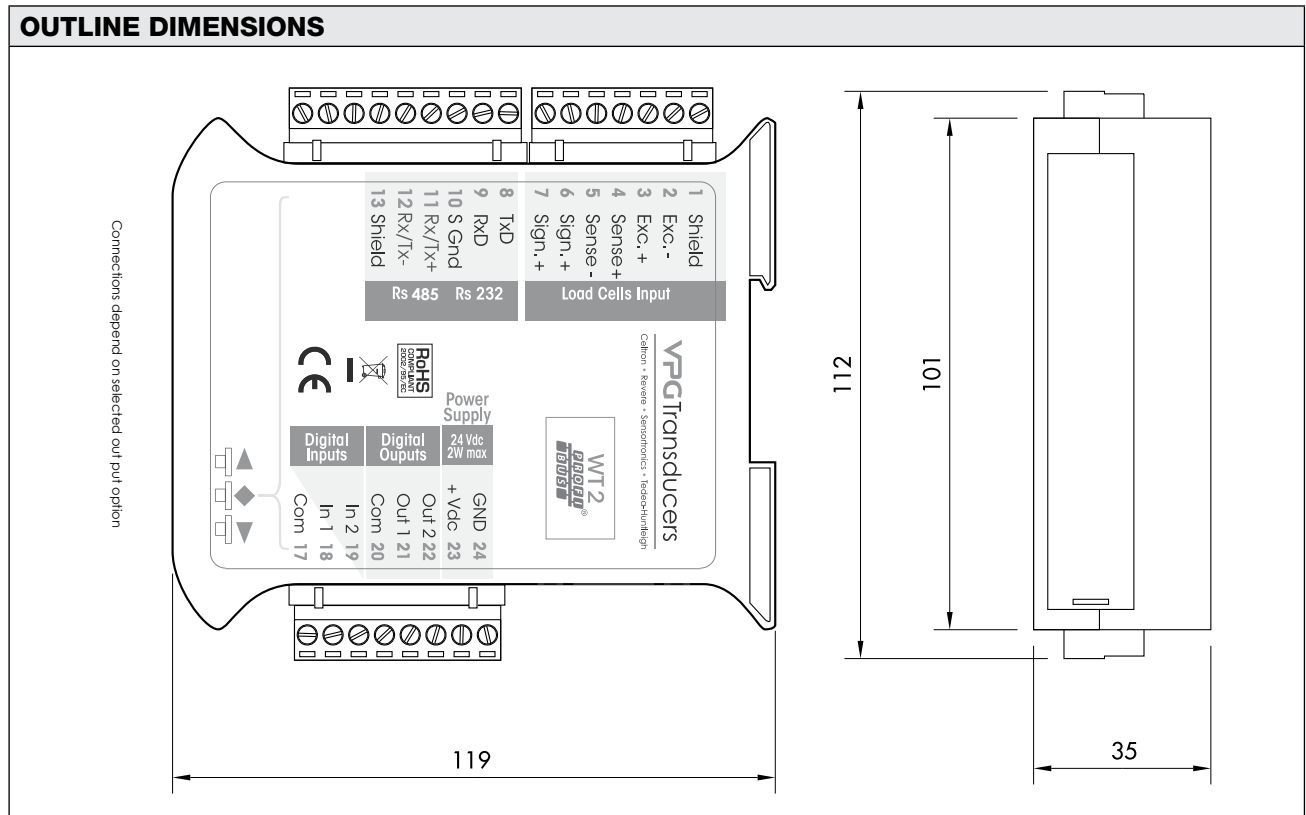
DESCRIPTION

The WT2 is a modified version of the WT1 with improved interfacing abilities. It uses the same 24-bit D/A converter and, when connected to a system of 1–4 load cells, the WT2 converts output signals in the same manner as the WT1. The WT2’s strength is in its connectivity. It uses PROFIBUS as its default protocol, which is faster than

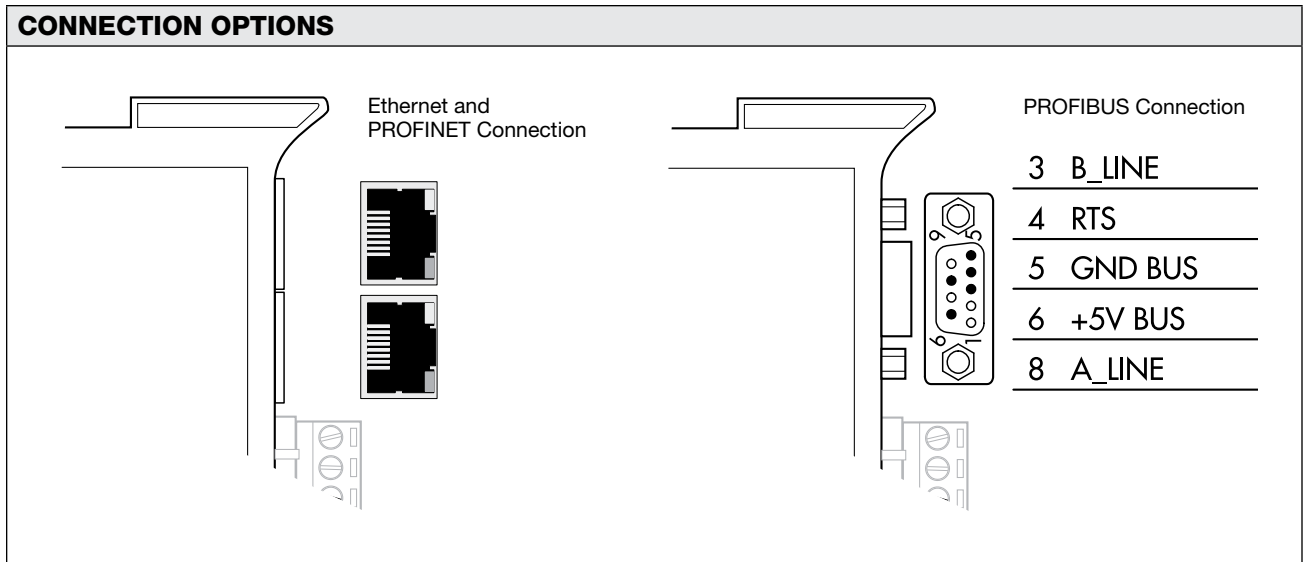
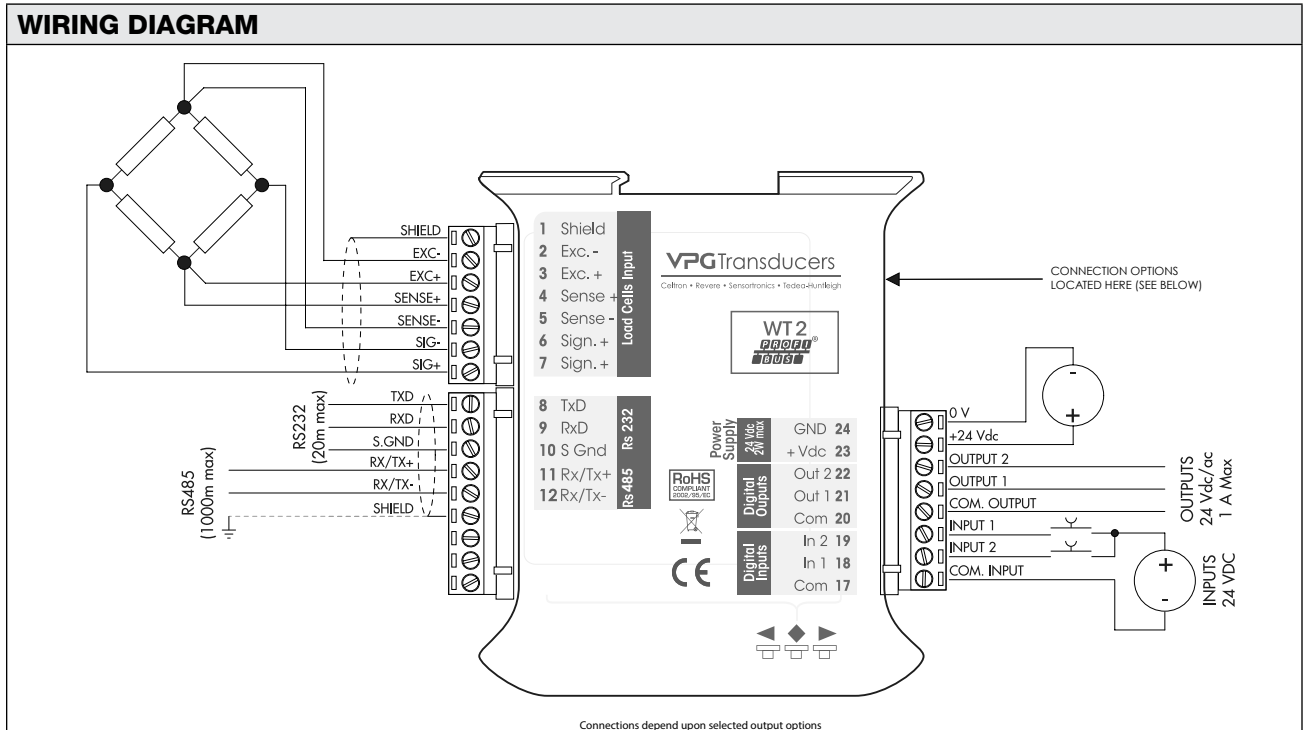
the MODBUS protocol and able to control more complex systems. The WT2 also features an optional Ethernet connection, which comes with a 128-byte in/out buffer for high-speed PC connections. The Ethernet cable can be augmented with the PROFINET protocol, which enables full integration into systems with that protocol.



OUTLINE DIMENSIONS



Weight Indicator



Weight Indicator

SPECIFICATIONS**PERFORMANCE****Power Output**

4 V

Measuring Range

-4 to +4 mV/V

Input Sensitivity0.02 μ V/division**Linearity**

<0.01% of full scale

Gain Drift

<0.001% full scale °C

D/A Convertor

24 bit

Internal Resolution

16,000,000 counts

Visible Resolution

60,000 counts (visible on net weight)

Divisions Value (Adjustable)

0.001 to 50

Filter (Adjustable)

0.2 to 25 Hz

ENVIRONMENTAL**Operating Temperature**

-10 to +50 °C

Storage Temperature

-20 to +60 °C

DISPLAY AND KEYBOARD**Display**

5 digit, 7 segment, LED

Digit Height

7 mm

Keyboard

3 key mechanical keyboard

ELECTRICAL**Voltage**24 \pm 10% VDC**Wattage**

2 W

SERIAL COMMUNICATION**Serial Output #1**

RS232C half duplex with ASCII protocol,

Baud Rate

2400 to 115200 (adjustable)

Serial Output #2 (optional)

PROFIBUS DP-V1

Baud Rate

9.6 K/sec to 12 Mbit/sec

Serial Output #3 (optional)

PROFINET

Baud Rate

According to PROFINET standards

Serial Output #4 (optional)

Ethernet

Buffer Dimensions

128 bytes in, 128 bytes out

ENCLOSURES**Dimensions**

119 x 112 x 23 mm, L x H x D

Mounting

DIN rail

Electrical Connections5.08 mm terminal screw pass,
D-Sub 9 poles female connector (Profibus version),
RJ45 connector (Ethernet and Profinet connections)**APPROVALS****EN**EN61000-6-2, EN61000-6-3 for EMC;
EN61010-1 for electrical security

Ordering information is on next page.

Weight Indicator

ORDERING INFORMATION FOR WT2	
<p>MODEL WT2</p>	<div style="display: inline-block; border: 1px solid black; padding: 2px;">M</div> <div style="display: inline-block; border: 1px solid black; padding: 2px;">O</div> <div style="display: inline-block; border: 1px solid black; padding: 2px;">D</div> <div style="display: inline-block; vertical-align: middle;">-</div> <div style="display: inline-block; border: 1px solid black; padding: 2px;">O</div>
	<p>OUTPUT OPTION (O)* PBUS = PROFIBUS DP-V1 interface PNET = PROFINET interface ETH = Ethernet interface</p>
<p>Example Completed Part Numbers: WT2-ETH is the part number for a WT2 with an Ethernet interface. *This is mandatory: customers must select an output option.</p>	

All specifications subject to change without notice. For inquiries within Italy please contact the VPG Transducers Marketing Department directly using the email address vpgt.marketing@vpgsensors.com.

Disclaimer

ALL PRODUCTS, PRODUCT SPECIFICATIONS AND DATA ARE SUBJECT TO CHANGE WITHOUT NOTICE.

Vishay Precision Group, Inc., its affiliates, agents, and employees, and all persons acting on its or their behalf (collectively, "VPG"), disclaim any and all liability for any errors, inaccuracies or incompleteness contained herein or in any other disclosure relating to any product.

The product specifications do not expand or otherwise modify VPG's terms and conditions of purchase, including but not limited to, the warranty expressed therein.

VPG makes no warranty, representation or guarantee other than as set forth in the terms and conditions of purchase. **To the maximum extent permitted by applicable law, VPG disclaims (i) any and all liability arising out of the application or use of any product, (ii) any and all liability, including without limitation special, consequential or incidental damages, and (iii) any and all implied warranties, including warranties of fitness for particular purpose, non-infringement and merchantability.**

Information provided in datasheets and/or specifications may vary from actual results in different applications and performance may vary over time. Statements regarding the suitability of products for certain types of applications are based on VPG's knowledge of typical requirements that are often placed on VPG products. It is the customer's responsibility to validate that a particular product with the properties described in the product specification is suitable for use in a particular application. You should ensure you have the current version of the relevant information by contacting VPG prior to performing installation or use of the product, such as on our website at vpgsensors.com.

No license, express, implied, or otherwise, to any intellectual property rights is granted by this document, or by any conduct of VPG.

The products shown herein are not designed for use in life-saving or life-sustaining applications unless otherwise expressly indicated. Customers using or selling VPG products not expressly indicated for use in such applications do so entirely at their own risk and agree to fully indemnify VPG for any damages arising or resulting from such use or sale. Please contact authorized VPG personnel to obtain written terms and conditions regarding products designed for such applications.

Product names and markings noted herein may be trademarks of their respective owners.

Copyright Vishay Precision Group, Inc., 2014. All rights reserved.