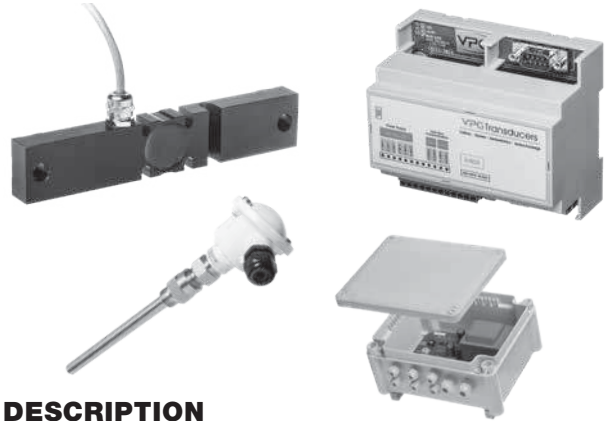


S-Box Silo Weighing System

FEATURES

- Appropriate for DIN rail mounting
- Embedded web server
- Powerful 32-bit x 86 microprocessor
- Language Interface available in English, French, German and Spanish
- Voltage rating: 24 VDC/125 mA
- Modbus TCP connection as standard
- Measurements are displayed on a website interface with any computer connected to the same network
- Up to 24 silo weight measurements and 48 temperature measurements
- Up to 8 deported casings and deported temperature casings
- Recommended load cell for weighing measurements: 178 extensometer

- Agriculture (weighing measurements only) – grain vessel
- F&B industry (weighing measurements only) – dairy storage plant, brewery, filling machine



OPTIONAL

- Ethernet IP connections available
- Up to 4 relay interface casings (16 relay outputs per casing)
- Up to 48 temperature control sensors (PT100)

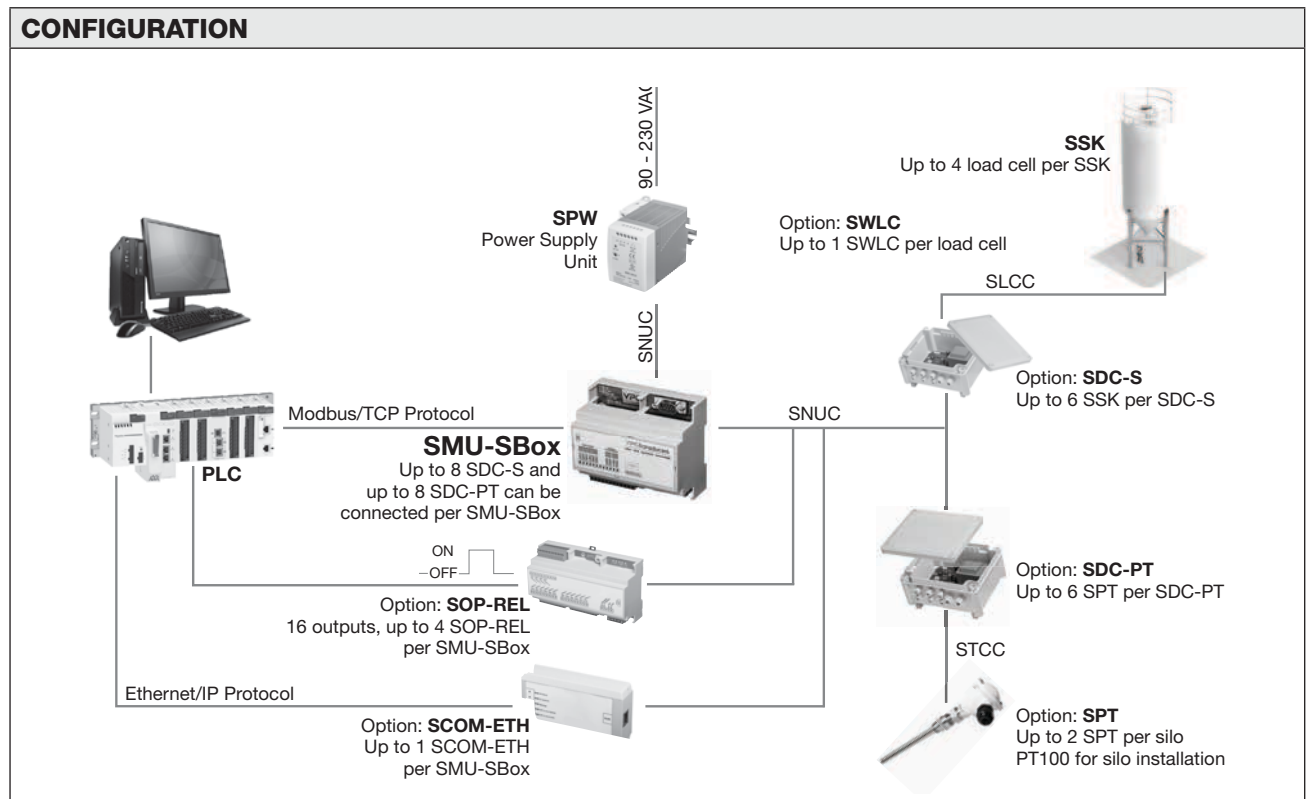
APPLICATIONS

- Cement plant – aggregates storage tank
- Water treatment plant – storage/ batching tank

DESCRIPTION

Our modern and intuitive system can provide low uncertainty and highly repeatable weighing and temperature measurements. Our S-Box device will allow many different measurements to be displayed on one interface. Its user friendly website is easy to use and will allow the user to consult its measurements from any computer connected on the same network. Up to 24 silos can be supported with an option of up to a total of 48 PT100 Temperature Sensors, up to 4 relay interface casings and an Ethernet IP connection.

CONFIGURATION



S-Box Silo Weighing System

SPECIFICATIONS**S-BOX CONTROLLER (SMU-SBOX)****Performance**

Silo Weight Measurement Up to 24
Temperature Measurement Up to 48
Microcontroller Vortex86DX with 32-bit, reprogrammable on-board from USB
Data Storage 8GB

Environmental

Operating Temperature 0 to +50°C (32 to 122°F)
Storage Temperature -20 to +70°C (-4 to 158°F)
Maximum Humidity Before Condensation 90%

Display and Keyboard

Display Web Interface
Available Languages English, French, German and Spanish

Electrical

Voltage 24VDC
Current Rating 125 mA
Wattage 10 W

Enclosures

Dimensions 105 x 90 x 60 mm L X H X D (4.13 x 3.54 x 2.36")
Mounting DIN Rail
Electrical Connections 3.81 mm (0.15") removal terminal blocks

POWER SUPPLY UNIT (SPW)

Input Voltage 90/230 VAC
Output Voltage 24 VDC
Power Output 100 W
Dimensions 100 X 55 X 90 mm L X H X D (3.94 x 2.17 x 3.54")
Mounting DIN Rail

DEPORTED CASING - SILO (SDC-S)

Input Voltage 24 VDC
Output Voltage 5 VDC
Wattage 17 W
Measuring Range -2.4 to +2.4 mV/V
Input Sensitivity 0.002 mV
Microcontroller Microchip PIC32
Data Storage 2 MB
Dimensions 190 x 170 x 100 mm L X H X D (7.48 x 6.69 x 3.94")
Operating Temperature -10 to +50°C (14 to 122°F)
Storage Temperature -20 to +70°C (-4 to 158°F)
CAN Bus Up to 8 Deported Casing can be connected on the same bus

SILO KIT (SSK)

Junction Box Dimensions 80 X 80 X 52 mm L X H X D (3.15 x 3.15 x 2.05")

Junction Box Material Polystyrene

Studs Dimensions 25 X 25 X 12 mm L X H X D (0.98 x 0.98 x 0.47")

Studs Thread 3/8 inches

Studs Material Steel

Template Dimensions 178 X 25 X 15 mm L X H X D (7.01 x 0.98 x 0.59")

Template Material Steel

PT100 TEMPERATURE SENSOR (SPT)

Material Stainless steel

Connection ½" male cylindrical gas

Probe Length 200 mm (7.87")

Dimensions 300 x 100 x 70 mm L X H X D (11.81 x 3.94 x 2.76")

Probe 3-wire PT100 ceramic IEC 60751 class A

Operating Temperature -50 to +450°C (-58 to 842°F)

Storage Temperature -50 to +450°C (-58 to 842°F)

DEPORTED TEMPERATURE CASING (SDC-PT)

Output Voltage 24 VDC

Wattage 6.5 W

Measuring Range -50 to +150°C (-58 to 302°F)

Microcontroller Microchip PIC32

Data Storage 2 MB

Dimensions 190 x 170 x 100 mm L X H X D (7.48 x 6.69 x 3.94")

Operating Temperature -10 to +50°C (14 to 122°F)

Storage Temperature -20 to +70°C (-4 to 158°F)

WEATHER SHIELD – 178 LOAD CELL (SWLC)

Dimensions 600 x 150 x 242 mm L X H X D (23.62 x 5.91 x 9.53")

Material Aluminum

Material Width 1 mm (0.04")

Mounting Collar clamping

S-Box Silo Weighing System

RELAY INTERFACE CASING (SOP-REL)

Max Relay Outputs Per Casing 16
Max Relay Output Voltage 24 VDC
Relay Current Rating 1 Amps
Max Switching Power 30 W
Life Expectancy 100,000 ops
Operating Temperature -10 to +50°C (14 to 122°F)
Storage Temperature -20 to +70°C (-4 to 158°F)
Input Voltage 24 VDC
Wattage 6 W
Microcontroller Microchip PIC32
Dimensions 160 x 90 x 58 mm L X H X D
(6.30 x 3.54 x 2.28")
CAN Bus Up to 4 Interface Casing can be connected on the same bus

ETHERNET IP (SCOM-ETH)

Microcontroller Atmel CC01
Operating Temperature -10 to +50°C (14 to 122°F)
Storage Temperature -20 to +70°C (-4 to 158°F)
Output Voltage 24 VDC
Wattage 2.5 W
Max Simultaneous Connection 5
Max Number of Request 10 per seconds
Electrical Connection RJ-45
Connection Speed 10 to 100 mbps
Dimensions 125 x 70 x 30 mm L X H X D
(4.92 x 2.76 x 1.18")

RECOMMENDED LOAD CELLS**Model 178 Load Cell**

Note: Please refer to model's datasheet for further information. Refer to Document no: 63999.

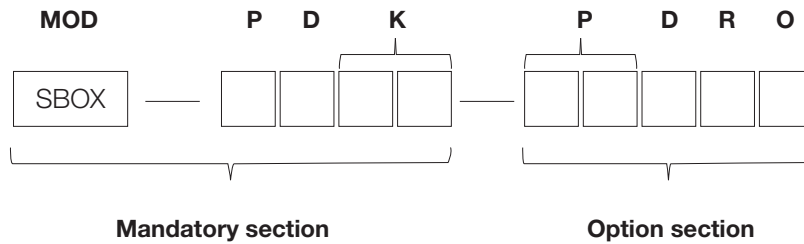
All specifications are subject to change without notice.

If you require any further information about any of the modules, please contact vpgt.marketing@vpgsensors.com.

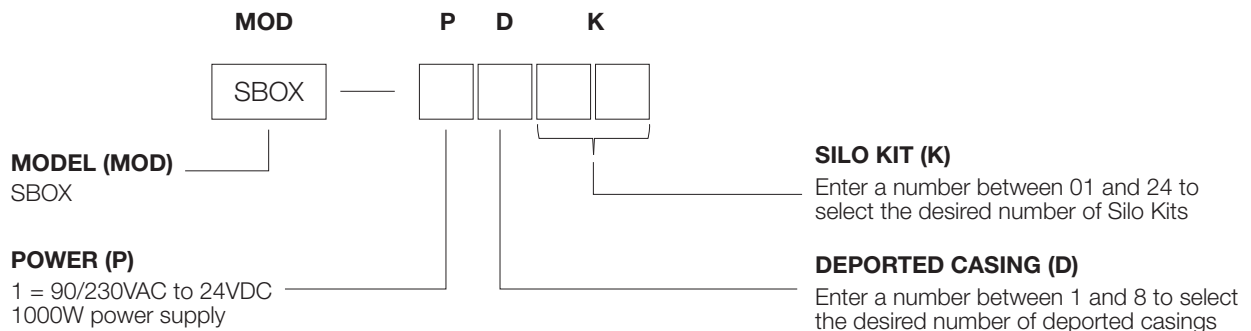
S-Box Silo Weighing System

ORDERING INFORMATION FOR S-BOX

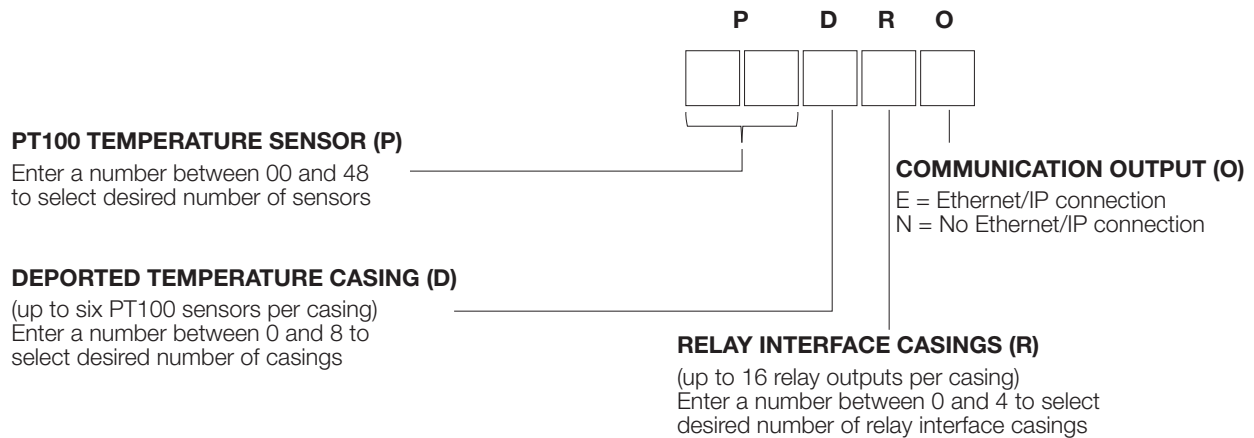
Complete item number



Mandatory section of item number



Optional section of item number



Example Complete Item Selection Number:

SBOX – 1515 – 3062E. SBOX with 90/230 VAC to 24 VDC 100 W power supply, 5 deported casings, 15 silo kits, 30 temperature sensors, 6 deported temperature casings, 2 relay interface casings, and an Ethernet/IP connection.

S-Box Silo Weighing System

COMPONENTS FOR INDIVIDUAL PURCHASE

RTSP

XXXX

RTSPSBOX	= MAIN CONTROL UNIT	RTSPSPT	= PT100 TEMPERATURE
RTSPSPW	= POWER SUPPLY UNIT	RTSPSDCPT	= DEPORTED TEMP CASING FOR 6 PT100s
RTSPSDCS	= DEPORTED CASING FOR 6 SILO KITS	RTSPSOPREL	= OUTPUT - RELAY INTERFACE CASING
RTSPSSK	= SILO KIT	RTSPSCOMETH	= COMMUNICATION – ETHERNET/IP
RTSPSLCC	= LOAD CELL AND SILO KITS CABLE	RTSPSNUC	= COMMUNICATION CABLE (CAN BUS)
RTSPSTCC	= TEMP SENSOR CABLE	RTSPSWLC	= LOAD CELL WEATHER SHIELD

Disclaimer

ALL PRODUCTS, PRODUCT SPECIFICATIONS AND DATA ARE SUBJECT TO CHANGE WITHOUT NOTICE.

Vishay Precision Group, Inc., its affiliates, agents, and employees, and all persons acting on its or their behalf (collectively, "VPG"), disclaim any and all liability for any errors, inaccuracies or incompleteness contained herein or in any other disclosure relating to any product.

The product specifications do not expand or otherwise modify VPG's terms and conditions of purchase, including but not limited to, the warranty expressed therein.

VPG makes no warranty, representation or guarantee other than as set forth in the terms and conditions of purchase. **To the maximum extent permitted by applicable law, VPG disclaims (i) any and all liability arising out of the application or use of any product, (ii) any and all liability, including without limitation special, consequential or incidental damages, and (iii) any and all implied warranties, including warranties of fitness for particular purpose, non-infringement and merchantability.**

Information provided in datasheets and/or specifications may vary from actual results in different applications and performance may vary over time. Statements regarding the suitability of products for certain types of applications are based on VPG's knowledge of typical requirements that are often placed on VPG products. It is the customer's responsibility to validate that a particular product with the properties described in the product specification is suitable for use in a particular application. You should ensure you have the current version of the relevant information by contacting VPG prior to performing installation or use of the product, such as on our website at vpgsensors.com.

No license, express, implied, or otherwise, to any intellectual property rights is granted by this document, or by any conduct of VPG.

The products shown herein are not designed for use in life-saving or life-sustaining applications unless otherwise expressly indicated. Customers using or selling VPG products not expressly indicated for use in such applications do so entirely at their own risk and agree to fully indemnify VPG for any damages arising or resulting from such use or sale. Please contact authorized VPG personnel to obtain written terms and conditions regarding products designed for such applications.

Product names and markings noted herein may be trademarks of their respective owners.

Copyright Vishay Precision Group, Inc., 2014. All rights reserved.