

## ST3 Silo Weighing System

### FEATURES

- Appropriate for panel mounting
- RGB Screen with resistive touch controls
- Language Interface available in English, French and Spanish
- Voltage rating: 24 VDC/340 mA
- Powerful 32-bit x86 microprocessor
- Modbus TCP Connection as standard
- Up to 24 (8 weight and 16 temperature) measurements per screen
- Up to 24 silo weight measurements and 48 temperature measurements
- Up to 8 deported casings and deported temperature casings
- Recommended load cell for weighing measurements: 178 extensometer

- Agriculture (weighing measurements only) – grain vessel
- F&B industry (weighing measurements only) – dairy storage plant, brewery, filling machine



### OPTIONAL

- Ethernet IP connection available
- Up to 4 relay interface casings (16 relay outputs per casing)
- Up to 48 temperature control sensors (PT100)

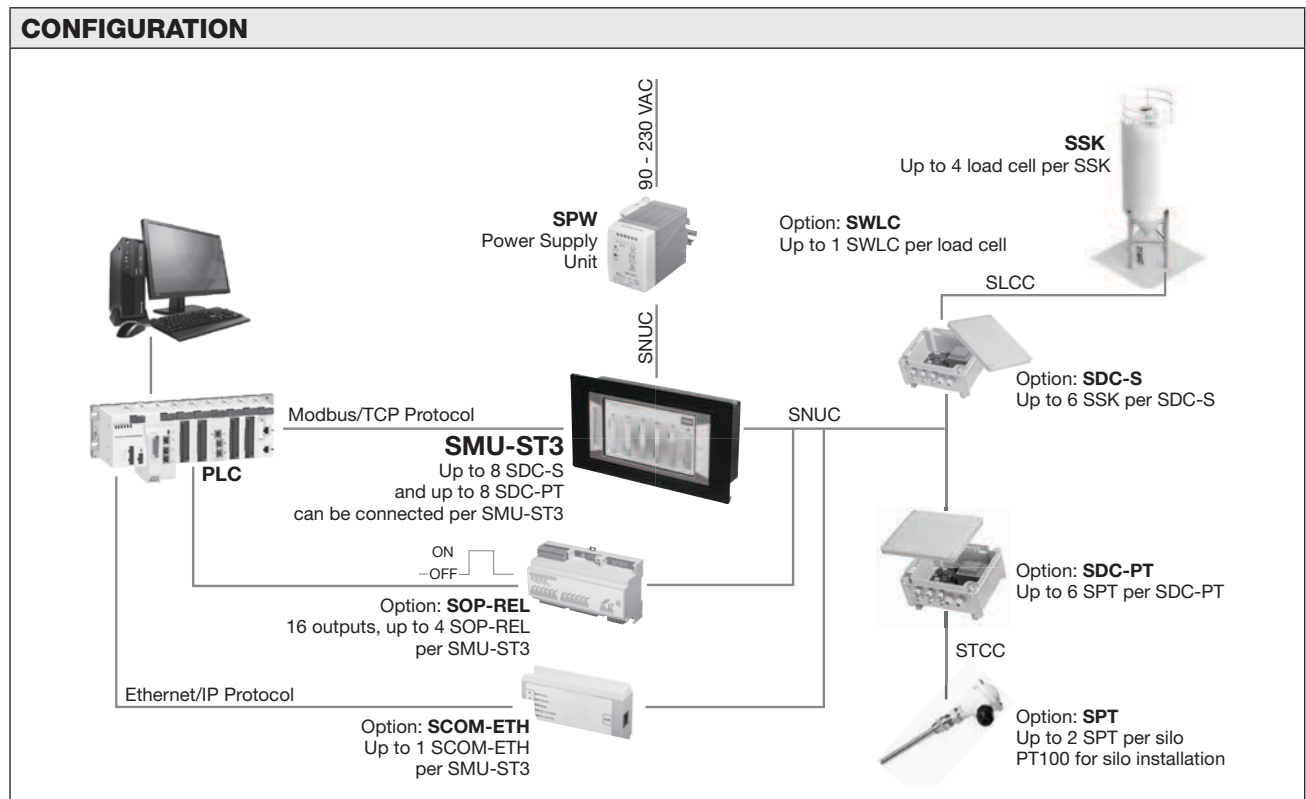
### APPLICATIONS

- Cement plant – aggregates storage tank
- Water treatment plant – storage/ batching tank

### DESCRIPTION

Our modern and intuitive system can provide low uncertainty and highly repeatable weighing and temperature measurements. For our ST3 system, it can display both weight and temperature measurements of connected silos. Up to 24 silos can be supported with an option of up to a total of 48 PT100 Temperature Sensors, up to 4 relay interface casings and an Ethernet IP connection.

### CONFIGURATION



## ST3 Silo Weighing System

**SPECIFICATIONS****ST3 CONTROLLER (SMU-ST3)****Performance**

**Silo Weight Measurement** Up to 24  
**Temperature Measurement** Up to 48  
**Microcontroller** Vortex86DX with 32-bit, reprogrammable on-board from USB  
**Data Storage** 8GB

**Environmental**

**Operating Temperature** 0 to +50°C (32 to 122°F)  
**Storage Temperature** -20 to +70°C (-4 to 158°F)  
**Maximum Humidity Before Condensation** 90%

**Display and Keyboard**

**Display** Tactile RGB Screen  
**Display Dimensions** 800 x 480 pixels  
**Keyboard** Touch Screen  
**Available Languages** English, French and Spanish

**Electrical**

**Voltage** 24 VDC  
**Current Rating** 340 mA  
**Wattage** 10 W

**Enclosures**

**Dimensions without Front Plate** 240 x 120 x 60 mm  
 L x H x D (9.45 x 4.72 x 2.36")  
**Mounting** Panel Mounting  
**Electrical Connections** 5.08 mm (0.2") removal terminal blocks

**POWER SUPPLY UNIT (SPW)**

**Input Voltage** 90/230 VAC  
**Output Voltage** 24 VDC  
**Power Output** 100 W  
**Dimensions** 100 x 55 x 90 mm L x H x D  
 (3.94 x 2.17 x 3.54")  
**Mounting** DIN Rail

**DEPORTED CASING - SILO (SDC-S)**

**Input Voltage** 24 VDC  
**Output Voltage** 5 VDC  
**Wattage** 17 W  
**Measuring Range** -2.4 to +2.4 mV/V  
**Input Sensitivity** 0.002 mV  
**Microcontroller** Microchip PIC32  
**Data Storage** 2 MB  
**Dimensions** 190 x 170 x 100 mm L x H x D  
**Operating Temperature** -10 to +50°C (14 to 122°F)  
**Storage Temperature** -20 to +70°C (-4 to 158°F)  
**CAN Bus** Up to 8 Deported Casing can be connected on the same bus

**SILO KIT (SSK)**

**Junction Box Dimensions** 80 x 80 x 52 mm L x H x D  
 (3.15 x 3.15 x 2.05")

**Junction Box Material** Polystyrene

**Studs Dimensions** 25 x 25 x 12 mm L x H x D  
 (0.98 x 0.98 x 0.47")

**Studs Thread** 3/8 inches

**Studs Material** Steel

**Template Dimensions** 178 x 25 x 15 mm L x H x D  
 (7.01 x 0.98 x 0.59")

**Template Material** Steel

**PT100 TEMPERATURE SENSOR (SPT)**

**Material** Stainless steel

**Connection** 1/2" male cylindrical gas

**Probe Length** 200 mm (7.87")

**Dimensions** 300 x 100 x 70 mm L x H x D  
 (11.81 x 3.94 x 2.76")

**Probe** 3-wire PT100 ceramic IEC 60751 class A

**Operating Temperature** -50 to +450°C (-58 to 842°F)

**Storage Temperature** -50 to +450°C (-58 to 842°F)

**DEPORTED TEMPERATURE CASING (SDC-S)**

**Output Voltage** 24 VDC

**Wattage** 6.5 W

**Measuring Range** -50 to +150 °C (-58 to 302°F)

**Microcontroller** Microchip PIC32

**Data Storage** 2 MB

**Dimensions** 190 x 170 x 100 mm L x H x D  
 (7.48 x 6.69 x 3.94")

**Operating Temperature** -10 to +50°C (14 to 122°F)

**Storage Temperature** -20 to +70°C (-4 to 158°F)

**WEATHER SHIELD - 178 LOAD CELL (SWLC)**

**Dimensions** 600 x 150 x 242 mm L x H x D  
 (23.62 x 5.91 x 9.53")

**Material** Aluminum

**Material Width** 1 mm (0.04")

**Mounting** Collar clamping

## ST3 Silo Weighing System

**RELAY INTERFACE CASING (SOP-REL)**

**Max Relay Outputs Per Casing** 16  
**Max Relay Output Voltage** 24 VDC  
**Relay Current Rating** 1 Amps  
**Max Switching Power** 30 W  
**Life Expectancy** 100,000 ops  
**Operating Temperature** -10 to +50°C (14 to 122°F)  
**Storage Temperature** -20 to +70°C (-4 to 158°F)  
**Input Voltage** 24 VDC  
**Wattage** 6 W  
**Microcontroller** Microchip PIC32  
**Dimensions** 160 x 90 x 58 mm L x H x D  
(6.30 x 3.54 x 2.28")  
**CAN Bus** Up to 4 Interface Casing can be connected on the same bus

**ETHERNET IP (SCOM-ETH)**

**Microcontroller** Atmel CC01  
**Operating Temperature** -10 to +50°C (14 to 122°F)  
**Storage Temperature** -20 to +70°C (-4 to 158°F)  
**Output Voltage** 24 VDC  
**Wattage** 2.5 W  
**Max Simultaneous Connection** 5  
**Max Number of Request** 10 per seconds  
**Electrical Connection** RJ-45  
**Connection Speed** 10 to 100 mbps  
**Dimensions** 125 x 70 x 30 mm L x H x D  
(4.92 x 2.76 x 1.18")

**RECOMMENDED LOAD CELLS****Model 178 Load Cell**

Note: Please refer to model's datasheet for further information. Refer to Document no: 63999.

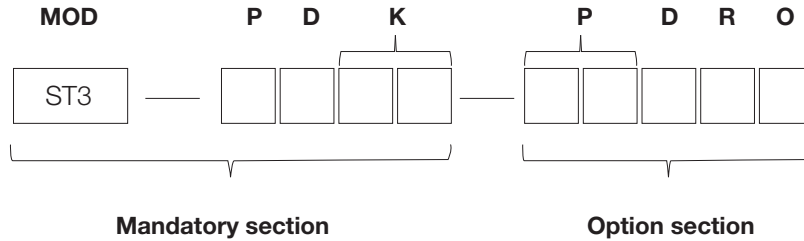
All specifications are subject to change without notice.

If you require any further information about any of the modules, please contact [vpgt.marketing@vpgsensors.com](mailto:vpgt.marketing@vpgsensors.com).

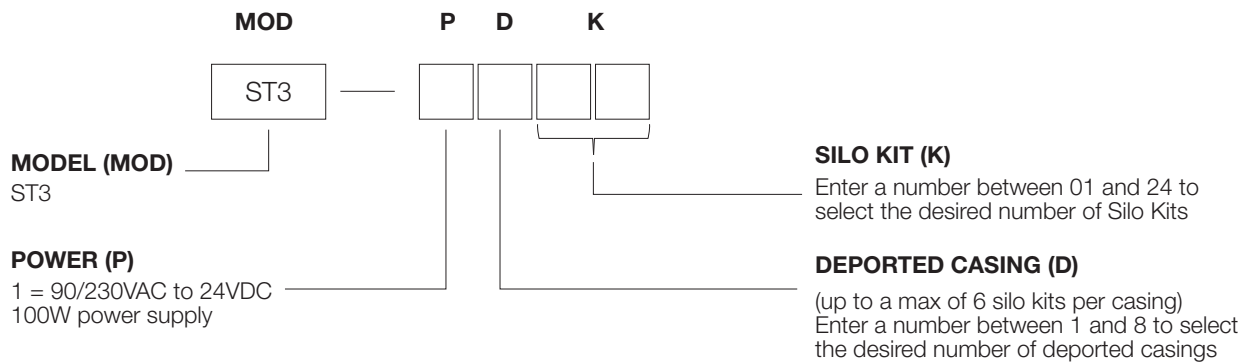
ST3 Silo Weighing System

**ORDERING INFORMATION FOR ST3**

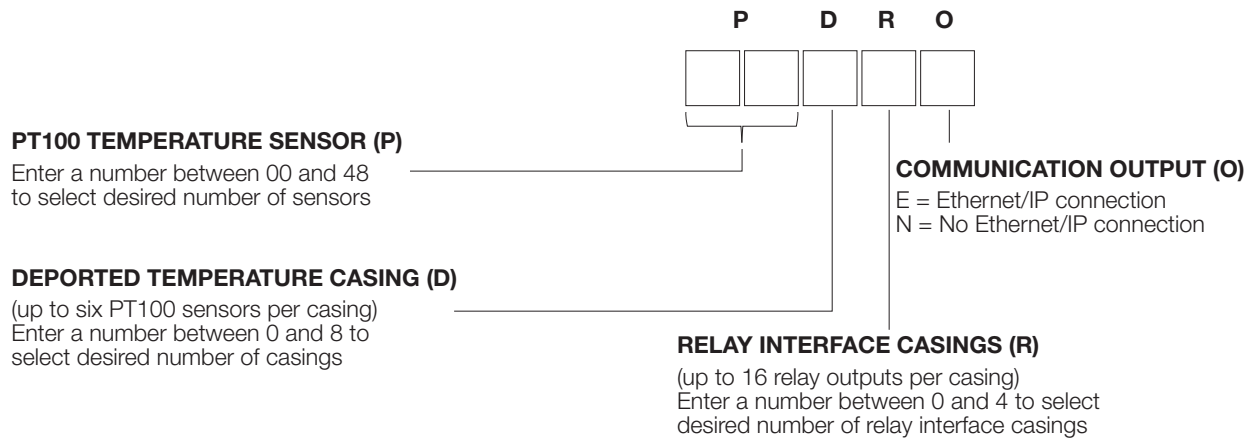
**Complete item number**



**Mandatory section of item number**



**Optional section of item number**



**Example Complete Item Selection Number:**

ST3- 1209 - 1831E with 90/230 VAC to 24 VDC 100 W power supply, 2 deported casings, 9 silo kits, 18 temperature sensors, 3 deported temperature casings, 1 relay interface casing, and an Ethernet/IP connection.

ST3 Silo Weighing System

**COMPONENTS FOR INDIVIDUAL PURCHASE**

**RTSP**

**XXXX**

RTSPST3	=	MAIN CONTROL UNIT	RTSPSPT	=	PT100 TEMP SENSOR
RTSPSPW	=	POWER SUPPLY UNIT	RTSPSDCPT	=	DEPORTED TEMP CASING FOR 6 PT100s
RTSPSDCS	=	DEPORTED CASING FOR 6 SILO KITS	RTSPSOPREL	=	OUTPUT – RELAY INTERFACE CASING
RTSPSSK	=	SILO KIT	RTSPSCOMETH	=	COMMUNICATION – ETHERNET/IP
RTSPSLCC	=	LOAD CELL AND SILO KITS CABLE	RTSPSNUC	=	COMMUNICATION CABLE (CAN BUS)
RTSPSTCC	=	TEMP SENSOR CABLE	RTSPSWLC	=	LOAD CELL WEATHER SHIELD



## Disclaimer

ALL PRODUCTS, PRODUCT SPECIFICATIONS AND DATA ARE SUBJECT TO CHANGE WITHOUT NOTICE.

Vishay Precision Group, Inc., its affiliates, agents, and employees, and all persons acting on its or their behalf (collectively, "VPG"), disclaim any and all liability for any errors, inaccuracies or incompleteness contained herein or in any other disclosure relating to any product.

The product specifications do not expand or otherwise modify VPG's terms and conditions of purchase, including but not limited to, the warranty expressed therein.

VPG makes no warranty, representation or guarantee other than as set forth in the terms and conditions of purchase. **To the maximum extent permitted by applicable law, VPG disclaims (i) any and all liability arising out of the application or use of any product, (ii) any and all liability, including without limitation special, consequential or incidental damages, and (iii) any and all implied warranties, including warranties of fitness for particular purpose, non-infringement and merchantability.**

Information provided in datasheets and/or specifications may vary from actual results in different applications and performance may vary over time. Statements regarding the suitability of products for certain types of applications are based on VPG's knowledge of typical requirements that are often placed on VPG products. It is the customer's responsibility to validate that a particular product with the properties described in the product specification is suitable for use in a particular application. You should ensure you have the current version of the relevant information by contacting VPG prior to performing installation or use of the product, such as on our website at [vpgsensors.com](http://vpgsensors.com).

No license, express, implied, or otherwise, to any intellectual property rights is granted by this document, or by any conduct of VPG.

The products shown herein are not designed for use in life-saving or life-sustaining applications unless otherwise expressly indicated. Customers using or selling VPG products not expressly indicated for use in such applications do so entirely at their own risk and agree to fully indemnify VPG for any damages arising or resulting from such use or sale. Please contact authorized VPG personnel to obtain written terms and conditions regarding products designed for such applications.

Product names and markings noted herein may be trademarks of their respective owners.

Copyright Vishay Precision Group, Inc., 2014. All rights reserved.