

Double-Ended Shear Beam Load Cell

FEATURES

- Rated capacities of 5,000 to 100,000 pounds, 2.3 to 45 metric tonnes
- High quality alloy tool steel construction
- Nickel plated for outstanding corrosion resistance
- Replacement for RTI model 5103 (EZM1)
- Integral conduit adaptor
- *Sensorgage*™ sealed to IP67 standards
- Factory Mutual System Approved for Classes I, II, III; Divisions 1 and 2; Groups A through G. Also, non-incendive ratings (No barriers!)
- **Optional**
 - EDOC option available; product appearance will differ from the photograph due to coating



APPLICATIONS

- Tank, bin, and silo weighing
- Railroad track scales
- Truck scales

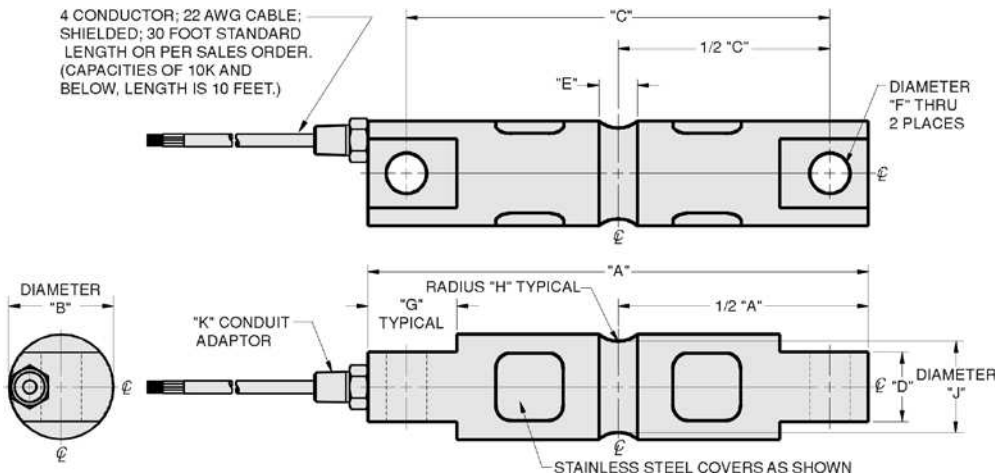
DESCRIPTION

The Model 60058 is a mid to high capacity nickel-plated alloy steel, double-ended shear beam load cell.

This product is designed for use in industrial and outdoor environments. Nickel plated steel construction limits corrosion from outdoor use. The IP67 sealing makes it suitable for applications that are subject to high-pressure wash down. Tank weighing is made simple when this load cell is combined with the EZ mount mounting hardware it was designed for. Its high accuracy and availability in high capacities make it ideal for certified truck and rail scales.

This load cell is rated intrinsically safe by the Factory Mutual System (FM); making it suitable for use in potentially explosive environments. This load cell is certified for Legal For Trade applications by the American NTEP standards.

OUTLINE DIMENSIONS in inches (millimeters)



CAPACITY	A	B	C	D	E	F	G	H	J	K-THREAD
5k-20k	8.12	1.70	6.88	1.13	0.63	0.65	1.44	0.50	1.48	1/4-18 NPT
30k-60k	10.25	2.97	8.50	2.38	0.95	1.06	1.94	1.00	2.73	1/2-14 NPT
100k	11.25	3.50	9.50	2.50	1.25	1.06	1.88	1.50	3.24	1/2-14 NPT
(2.3-9 t)	(206.2)	(43.2)	(174.8)	(28.7)	(16.0)	(16.5)	(36.6)	(12.7)	(37.6)	1/4-18 NPT
(13.6-27 t)	(260.4)	(75.4)	(215.9)	(60.5)	(24.1)	(26.9)	(49.3)	(25.4)	(69.3)	1/2-14 NPT
(45 t)	(285.8)	(88.9)	(241.3)	(63.5)	(31.8)	(26.9)	(47.8)	(38.1)	(82.3)	1/2-14 NPT

Capacities are in pounds (kg/t). Above dimensions apply to non-EDOC-coated load cells.

Double-Ended Shear Beam Load Cell

SPECIFICATIONS				
PARAMETER	VALUE			UNIT
Rated capacity—R.C. (E _{max})	5k, 10k, 20k, 30k, 40k, 50k, 60k, 100k 2.3, 4.5, 9.0, 13.6, 18.0, 23.0, 27.0, 45.0			lbs t
NTEP/OIML accuracy class	NTEP III	NTEP III L	Standard	
Maximum no. of intervals (n)	5000 multiple	10000 multiple		
Y = E _{max} /V _{min}	See NTEP cert. 97-042A1			Maximum available
Rated output—R.O.	3.0			mV/V
Rated output tolerance	0.25			±% mV/V
Zero balance	1.0			±% FSO
Combined error	0.02	0.02	0.03	±% FSO
Non-repeatability	0.01	0.01	0.01	±% FSO
Creep error (20 minutes)	0.030	0.030	0.03	±% FSO
Temperature effect on zero	0.0015	0.0010	0.0015	±% FSO/°F
Temperature effect on output	0.0008	0.0008	0.0008	±% of load/°F
Compensated temperature range	14 to 104 (-10 to 40)			°F (°C)
Operating temperature range	0 to 150 (-18 to 65)			°F (°C)
Storage temperature range	-60 to 185 (-50 to 85)			°F (°C)
Safe sideload	100			% of R.C.
Maximum safe central overload	150			% of R.C.
Ultimate central overload	300			% of R.C.
Excitation, recommended	10			VDC or VAC RMS
Excitation, maximum	15			VDC or VAC RMS
Input impedance	686-714			Ω
Output impedance	699-707			Ω
Insulation resistance at 50 VDC	>1000			MΩ
Material	Nickel-plated alloy tool steel			
Environmental protection	IP67			

FSO— Full Scale Output

R.C.— Rated Capacity

All specifications subject to change without notice.



Disclaimer

ALL PRODUCTS, PRODUCT SPECIFICATIONS AND DATA ARE SUBJECT TO CHANGE WITHOUT NOTICE.

Vishay Precision Group, Inc., its affiliates, agents, and employees, and all persons acting on its or their behalf (collectively, "VPG"), disclaim any and all liability for any errors, inaccuracies or incompleteness contained herein or in any other disclosure relating to any product.

The product specifications do not expand or otherwise modify VPG's terms and conditions of purchase, including but not limited to, the warranty expressed therein.

VPG makes no warranty, representation or guarantee other than as set forth in the terms and conditions of purchase. **To the maximum extent permitted by applicable law, VPG disclaims (i) any and all liability arising out of the application or use of any product, (ii) any and all liability, including without limitation special, consequential or incidental damages, and (iii) any and all implied warranties, including warranties of fitness for particular purpose, non-infringement and merchantability.**

Information provided in datasheets and/or specifications may vary from actual results in different applications and performance may vary over time. Statements regarding the suitability of products for certain types of applications are based on VPG's knowledge of typical requirements that are often placed on VPG products. It is the customer's responsibility to validate that a particular product with the properties described in the product specification is suitable for use in a particular application. You should ensure you have the current version of the relevant information by contacting VPG prior to performing installation or use of the product, such as on our website at vpgsensors.com.

No license, express, implied, or otherwise, to any intellectual property rights is granted by this document, or by any conduct of VPG.

The products shown herein are not designed for use in life-saving or life-sustaining applications unless otherwise expressly indicated. Customers using or selling VPG products not expressly indicated for use in such applications do so entirely at their own risk and agree to fully indemnify VPG for any damages arising or resulting from such use or sale. Please contact authorized VPG personnel to obtain written terms and conditions regarding products designed for such applications.

Product names and markings noted herein may be trademarks of their respective owners.

Copyright Vishay Precision Group, Inc., 2014. All rights reserved.