

Low Profile Universal Load Cell

FEATURES

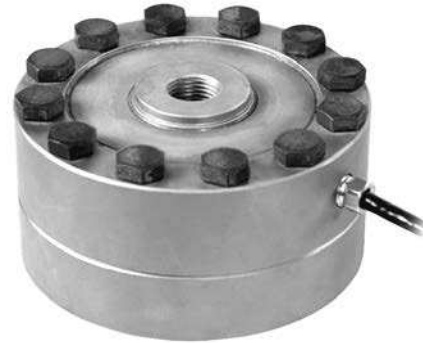
- Capacity: 0.5–100 t
- Alloy steel construction
- Universal load cell
- Integrated overload protection (in compression)
- Tension and compression loading
- **Optional**
 - Model 98005 without base mounting plate (for compression applications only)
 - Metric and imperial threads

APPLICATIONS

- Universal testing machines

DESCRIPTION

The Model 98001 is a universal alloy steel shear beam load cell ideal for testing machine applications employing both tension and compression loading. This shear beam

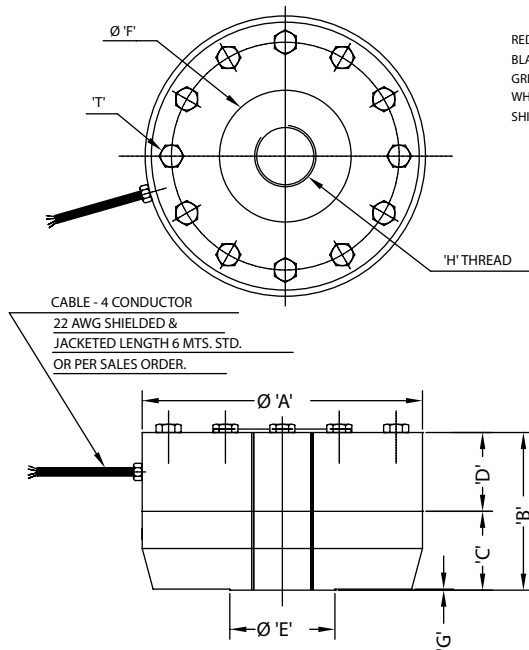


design load cell provides excellent immunity to impact and side forces. This load cell includes integrated overload protection for compression loading applications.

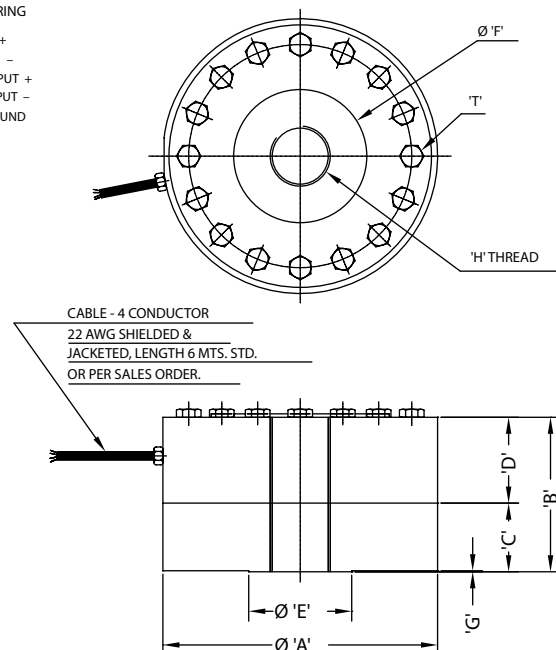
OUTLINE DIMENSIONS in millimeters

CAPACITY	Ø A	B	C	D	Ø E	Ø F	G	HTHREAD	T
500 kg, 1.0, 2.0, 3.0, 5.0 t	105.0	66.40	35.00	31.4	34.0	34.0	7.80	M16 × 1.5	M8, 12 PLCS ON PCD 90.0
10, 15, 20, 25, 30 t	154.0	89.00	44.50	44.5	57.0	63.0	0.76	M30 × 2.0	M10, 12 PLCS ON PCD 130.0
40, 50, 60 t	203.0	115.06	51.56	63.5	76.0	95.5	0.76	1 3/4"-12 UNF-2B	M12, 16 PLCS ON PCD 165.0
100 t	279.0	166.10	77.20	88.9	114.0	122.0	0.80	M72 × 2.0	M16, 16 PLCS ON PCD 221.4

500 kg–30.0 t



40.0–100.0 t



WIRING
RED EXC. +
BLACK EXC. -
GREEN OUTPUT +
WHITE OUTPUT -
SHIELD GROUND

Low Profile Universal Load Cell

SPECIFICATIONS		
PARAMETER	VALUE	UNIT
Rated output—R.O.	2.0	mV/V
Rated output tolerance	10	±% FSO
Zero balance	1	±% FSO
Combined error	<0.10	±% FSO
Non-linearity	<0.050	±% FSO
Hysteresis	<0.050	±% FSO
Non-repeatability	<0.020	±% FSO
Creep error (30 minutes)	<0.002	±% FSO
Temperature effect on zero	<0.001	± %/°C
Temperature effect on output	0.001	± %/°C
Operating temperature range	-20 to +70	°C
Maximum safe central overload	150	% FSO
Ultimate central overload	300	% FSO
Excitation, recommended	10	VDC
Excitation, maximum	15	VDC
Input impedance	699–750	Ω
Output impedance	699–750	Ω
Insulation resistance at 50 VDC	>1000	MΩ
Material	Alloy steel with electroless nickel-plated	
Environmental protection	IP67	

Specifications also apply for optional Model 98005 (for compression only)

All specifications subject to change without notice.

Disclaimer

ALL PRODUCTS, PRODUCT SPECIFICATIONS AND DATA ARE SUBJECT TO CHANGE WITHOUT NOTICE.

Vishay Precision Group, Inc., its affiliates, agents, and employees, and all persons acting on its or their behalf (collectively, "VPG"), disclaim any and all liability for any errors, inaccuracies or incompleteness contained herein or in any other disclosure relating to any product.

The product specifications do not expand or otherwise modify VPG's terms and conditions of purchase, including but not limited to, the warranty expressed therein.

VPG makes no warranty, representation or guarantee other than as set forth in the terms and conditions of purchase. **To the maximum extent permitted by applicable law, VPG disclaims (i) any and all liability arising out of the application or use of any product, (ii) any and all liability, including without limitation special, consequential or incidental damages, and (iii) any and all implied warranties, including warranties of fitness for particular purpose, non-infringement and merchantability.**

Information provided in datasheets and/or specifications may vary from actual results in different applications and performance may vary over time. Statements regarding the suitability of products for certain types of applications are based on VPG's knowledge of typical requirements that are often placed on VPG products. It is the customer's responsibility to validate that a particular product with the properties described in the product specification is suitable for use in a particular application. You should ensure you have the current version of the relevant information by contacting VPG prior to performing installation or use of the product, such as on our website at vpgsensors.com.

No license, express, implied, or otherwise, to any intellectual property rights is granted by this document, or by any conduct of VPG.

The products shown herein are not designed for use in life-saving or life-sustaining applications unless otherwise expressly indicated. Customers using or selling VPG products not expressly indicated for use in such applications do so entirely at their own risk and agree to fully indemnify VPG for any damages arising or resulting from such use or sale. Please contact authorized VPG personnel to obtain written terms and conditions regarding products designed for such applications.

Product names and markings noted herein may be trademarks of their respective owners.

Copyright Vishay Precision Group, Inc., 2014. All rights reserved.