

Low Profile Off-Center Single-Point

FEATURES

- Capacities: 5 to 1000 kg
- Cost-effective load cell for scales of simple construction
- Anodized aluminum alloy
- NTEP Class III 5000S approval from 5 kg to 500 kg
- OIML C3 approval from 5 kg to 500 kg
- OIML C6 approval from 500 kg to 1000 kg
- **Optional**
 - FM approval available
 - Stainless Steel version available



APPLICATIONS

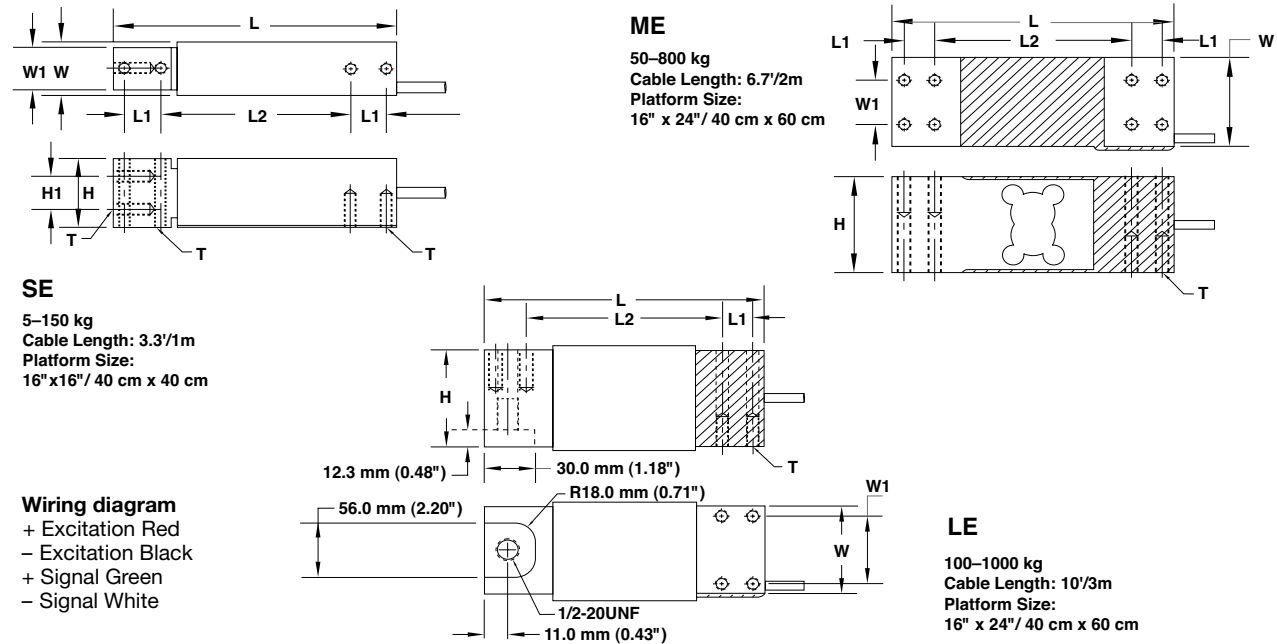
- Platform scales (single load cell)
- Packaging machines
- Dosing/filling
- Belt scales/conveyor scales
- In-motion check weigher

DESCRIPTION

The Model LOC is a low profile single-point load cell designed for platform scales and hanging scales. It is a cost-effective load cell for scales of simple construction.

The LOC is constructed of anodized aluminum, and is environmentally sealed up to IP66 levels providing excellent protection against moisture and humidity.

OUTLINE DIMENSIONS in inches (millimeters)



- Wiring diagram**
 + Excitation Red
 - Excitation Black
 + Signal Green
 - Signal White

	CAPACITY (kg)		L	L ₁	L ₂	W	W ₁	H	H ₁	T
SE	5/7/10/15/20/30/50/60/75/100/150	mm	150.0	19.0	100.0	30.0	24.0	39.5	19.0	M6x1.0
		(inch)	5.91	0.75	3.94	1.18	0.94	1.56	0.75	1/4-20UNF
ME	50/100/150/250/300/500/635/800 45A/100A/150A/250A/300A/500A/635A	mm	174.0	19.0	122.0	60.0	30.0	65.0	-	M8 x 1.25 5/16-18UNC
		(inch)	6.85	0.75	4.80	2.36	1.18	2.56	-	
LE	100/250/100A/150A/250A/300A/500A/ 635A/800A/1000A	mm	191.0	25.0	125.0	76.2	60.0	75.0	-	
		(inch)	7.52	0.98	4.92	3.00	2.36	2.95	-	

*A: American Standard Thread

Low Profile Off-Center Single-Point

SPECIFICATIONS					
PARAMETER	VALUE				UNIT
NTEP/OIML accuracy class	NTEP III*	Non-Approved	C3**	C6***	
Maximum no. of intervals (n)	5000 single	1000	3000	6000	
$Y = E_{max}/V_{min}$	8000	1400	10000	12000	Maximum available
Standard capacities (E_{max})	5, 7, 10, 15, 20, 30, 50, 60, 75, 100, 150, 250, 300, 500, 635, 800, 1000				kg
Rated output—R.O.	2.0				mV/V
Rated output tolerance	10				±% of rated output
Zero balance	1				±% of rated output
Non-linearity	0.020	0.025	0.020	0.015	±% of rated output
Hysteresis	0.020	0.025	0.020	0.015	±% of rated output
Non-repeatability	0.020				±% of rated output
Creep error (20 minutes)	0.021	0.030	0.025	0.012	±% of rated output
Zero return (20 minutes)	0.01	0.030	0.017	0.008	±% of rated output
Temperature effect on min. dead load output	0.0026	0.0026	0.0014	0.0012	±% of rated output/°C
Temperature effect on sensitivity	0.0010	0.0015	0.008	0.008	±% of applied output/°C
Compensated temperature range	-10 to +40				°C
Operating temperature range	-20 to +60				°C
Safe overload	150				% of R.C.
Ultimate overload	200				% of R.C.
Excitation, recommended	10				VDC or VAC RMS
Excitation, maximum	15				VDC or VAC RMS
Input impedance	410±10				Ω
Output impedance	350±3				Ω
Insulation resistance	>5000				MΩ
Construction	Anodized aluminum. Stainless steel available.				
Environmental protection	IP66				

* Capacities 5–500 kg

** Capacities 5–500 kg

*** Capacities 500–1000 kg

All specifications are subject to change without notice.

Disclaimer

ALL PRODUCTS, PRODUCT SPECIFICATIONS AND DATA ARE SUBJECT TO CHANGE WITHOUT NOTICE.

Vishay Precision Group, Inc., its affiliates, agents, and employees, and all persons acting on its or their behalf (collectively, "VPG"), disclaim any and all liability for any errors, inaccuracies or incompleteness contained herein or in any other disclosure relating to any product.

The product specifications do not expand or otherwise modify VPG's terms and conditions of purchase, including but not limited to, the warranty expressed therein.

VPG makes no warranty, representation or guarantee other than as set forth in the terms and conditions of purchase. **To the maximum extent permitted by applicable law, VPG disclaims (i) any and all liability arising out of the application or use of any product, (ii) any and all liability, including without limitation special, consequential or incidental damages, and (iii) any and all implied warranties, including warranties of fitness for particular purpose, non-infringement and merchantability.**

Information provided in datasheets and/or specifications may vary from actual results in different applications and performance may vary over time. Statements regarding the suitability of products for certain types of applications are based on VPG's knowledge of typical requirements that are often placed on VPG products. It is the customer's responsibility to validate that a particular product with the properties described in the product specification is suitable for use in a particular application. You should ensure you have the current version of the relevant information by contacting VPG prior to performing installation or use of the product, such as on our website at vpgsensors.com.

No license, express, implied, or otherwise, to any intellectual property rights is granted by this document, or by any conduct of VPG.

The products shown herein are not designed for use in life-saving or life-sustaining applications unless otherwise expressly indicated. Customers using or selling VPG products not expressly indicated for use in such applications do so entirely at their own risk and agree to fully indemnify VPG for any damages arising or resulting from such use or sale. Please contact authorized VPG personnel to obtain written terms and conditions regarding products designed for such applications.

Product names and markings noted herein may be trademarks of their respective owners.

Copyright Vishay Precision Group, Inc., 2014. All rights reserved.