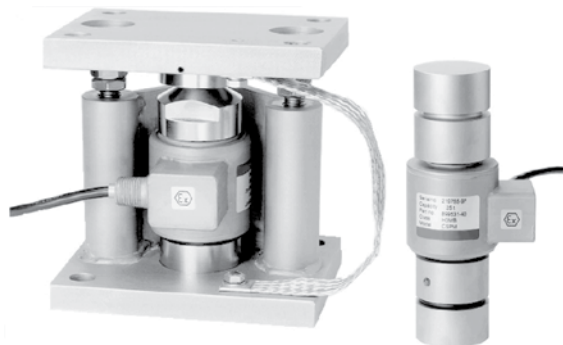


CSP-M Self-Aligning Accessories

FEATURES

- Capacities: 10–60T
- Hardened components at all bearing surfaces
- Self-aligning construction
- Built-in horizontal movement control and lift-off protection
- Load cell (re)placement after installation of the mount
- **Optional**
 - Stainless steel or nickel-plated steel versions available
 - Versions with stay rod assemblies available
 - Suitable also for SCC load cells



APPLICATIONS

- Process control
- Silo and weighbridge applications
- Truck and rail scale applications

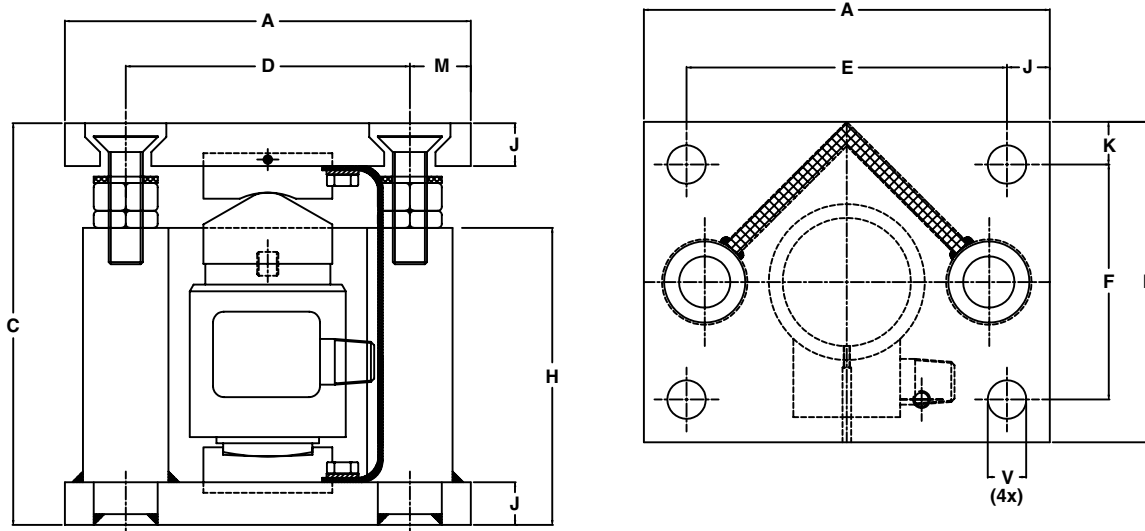
DESCRIPTION

The CSP-M self-aligning mounts, combined with the CSP-M load cell family, provides weighing assemblies suitable for process control, silo, and weighbridge applications.

The CSP-M weighbridge mount is designed to be used in truck scale and rail scale applications. The mount ensures excellent signal stability and optimum performance. It can be used without stay or check rods.

The self-aligning silo mount provides excellent load introduction to the transducer while maintaining an overall low profile. Hardened components are used at all load bearing surfaces.

OUTLINE DIMENSIONS in mm



CAPACITY	A	B	C	D	E	F	H	J	K	M	V
10/25 ton	190	150	189.5	133	150	110	139	20	20	28.5	Ø18
40/60 ton	250	200	273	182	190	150	209	30	25	35	Ø22

CSP-M Self-Aligning Accessories

ACCESSORIES

Self-Aligning Weighbridge Mount

The CSP-M SA weighbridge mount allows a safe horizontal movement of 8 mm, while ultimate movement of up to 16 mm is accepted. Special care has been given to load safety margins and ease of installation.

Combined with the CSP-M load cell family, the assembly provides excellent signal stability and measurement performance under off-center loading conditions. The mount is made of corrosion resistive steel (DIN 1.2083) to guarantee long-term reliability.



Self-Aligning Silo Mount

The CSP-M self-aligning silo mount is suitable for batch weighing, process control, and silo/hopper applications. The mount tolerates controlled movement in all directions. The top plate is held captive eliminating, in most cases, the need for additional stay or check rods. Where major load movement is anticipated, a version with a built-in stay rod is available. The silo mount allows the load cell to be fitted or removed after installation of the mount. All load bearing surfaces are made of hardened corrosion resistive steel (DIN 1.2083).



ADDITIONAL INFORMATION		
MOUNT	10/25T	40/60T
Weighbridge mount		
Assembly + CSP-M	216 mm	260 mm
Assembly guidelines	AG 09/06-101/02	
Outline drawing – stainless steel*	899953-41	899953-40
Outline drawing – nickel-plated	-	-
Silo mount		
Assembly + CSP-M	188	273
Assembly guidelines	AG 12/06-102/02	
Outline drawing – stainless steel*	499050-10	499051-10
Outline drawing – nickel-plated	499050-00	499051-00
Silo mount with stay rod		
Assembly + CSP-M	190 mm	274 mm
Outline drawing – stainless steel*	499059-10	499060-10
Outline drawing – nickel-plated	499059-00	499060-00

* Load bearings are made of hardened steel, material DIN number: 1.2083



Disclaimer

ALL PRODUCTS, PRODUCT SPECIFICATIONS AND DATA ARE SUBJECT TO CHANGE WITHOUT NOTICE.

Vishay Precision Group, Inc., its affiliates, agents, and employees, and all persons acting on its or their behalf (collectively, "VPG"), disclaim any and all liability for any errors, inaccuracies or incompleteness contained herein or in any other disclosure relating to any product.

The product specifications do not expand or otherwise modify VPG's terms and conditions of purchase, including but not limited to, the warranty expressed therein.

VPG makes no warranty, representation or guarantee other than as set forth in the terms and conditions of purchase. **To the maximum extent permitted by applicable law, VPG disclaims (i) any and all liability arising out of the application or use of any product, (ii) any and all liability, including without limitation special, consequential or incidental damages, and (iii) any and all implied warranties, including warranties of fitness for particular purpose, non-infringement and merchantability.**

Information provided in datasheets and/or specifications may vary from actual results in different applications and performance may vary over time. Statements regarding the suitability of products for certain types of applications are based on VPG's knowledge of typical requirements that are often placed on VPG products. It is the customer's responsibility to validate that a particular product with the properties described in the product specification is suitable for use in a particular application. You should ensure you have the current version of the relevant information by contacting VPG prior to performing installation or use of the product, such as on our website at vpgsensors.com.

No license, express, implied, or otherwise, to any intellectual property rights is granted by this document, or by any conduct of VPG.

The products shown herein are not designed for use in life-saving or life-sustaining applications unless otherwise expressly indicated. Customers using or selling VPG products not expressly indicated for use in such applications do so entirely at their own risk and agree to fully indemnify VPG for any damages arising or resulting from such use or sale. Please contact authorized VPG personnel to obtain written terms and conditions regarding products designed for such applications.

Product names and markings noted herein may be trademarks of their respective owners.

Copyright Vishay Precision Group, Inc., 2014. All rights reserved.