

Load Cell Mounting Feet

FEATURES

- Adjustable height or fixed height version
- Designed to work with T-end version shear beams
- Low profile
- Stainless steel
- Anti-vibration
- Easy installation

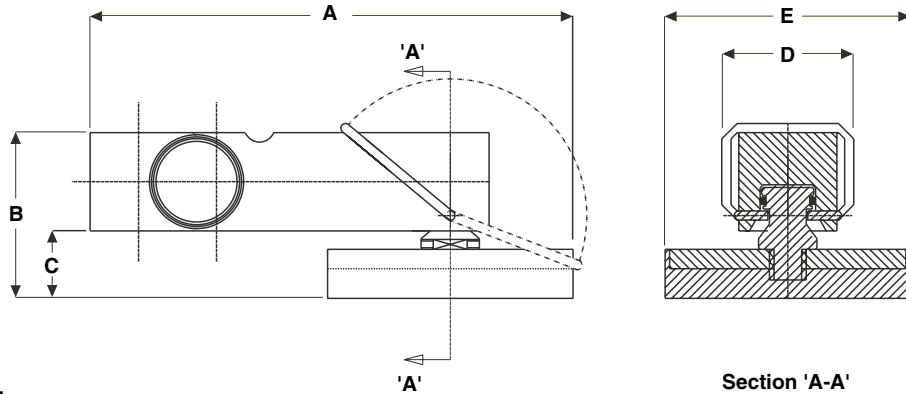


DESCRIPTION

T-End mounting feet are ideal for platforms in which a number of load cells are used together. The stainless steel construction with the inert rubber foot makes the assembly impervious to most industrial chemicals and ideal for demanding environments. A food grade rubber option is also available.

They must be used with the appropriate load cells, which are current matched and specially machined to accept T-End accessories. It is recommended to order load cells and T-End mounting feet together.

OUTLINE DIMENSIONS in millimeters



Note:

1. All dimensions in mm
2. A mounting foot adapter is available which increases the heights 'B' & 'C' by 7mm (for standard shear beams)

Load Cell Type		3410			3510	
Capacity		250–4000 lbs	500–1000 kg	2000 kg	300–2000 kg	5000 kg
Both T-foot versions	A	157.4	157.4	157.4	157.4	202.4
	D	43	43	43	43	57
	ØE	80	80	80	80	100
Fixed height foot	B	52	52	58	54	77.5
	C	22	22	22	22	29.5
Adjustable height foot	B low	58	58	64	60	-
	B high	70	70	76	72	-
	C low	28	28	28	28	-
	C high	40	40	40	40	-

Disclaimer

ALL PRODUCTS, PRODUCT SPECIFICATIONS AND DATA ARE SUBJECT TO CHANGE WITHOUT NOTICE.

Vishay Precision Group, Inc., its affiliates, agents, and employees, and all persons acting on its or their behalf (collectively, "VPG"), disclaim any and all liability for any errors, inaccuracies or incompleteness contained herein or in any other disclosure relating to any product.

The product specifications do not expand or otherwise modify VPG's terms and conditions of purchase, including but not limited to, the warranty expressed therein.

VPG makes no warranty, representation or guarantee other than as set forth in the terms and conditions of purchase. **To the maximum extent permitted by applicable law, VPG disclaims (i) any and all liability arising out of the application or use of any product, (ii) any and all liability, including without limitation special, consequential or incidental damages, and (iii) any and all implied warranties, including warranties of fitness for particular purpose, non-infringement and merchantability.**

Information provided in datasheets and/or specifications may vary from actual results in different applications and performance may vary over time. Statements regarding the suitability of products for certain types of applications are based on VPG's knowledge of typical requirements that are often placed on VPG products. It is the customer's responsibility to validate that a particular product with the properties described in the product specification is suitable for use in a particular application. You should ensure you have the current version of the relevant information by contacting VPG prior to performing installation or use of the product, such as on our website at vpgsensors.com.

No license, express, implied, or otherwise, to any intellectual property rights is granted by this document, or by any conduct of VPG.

The products shown herein are not designed for use in life-saving or life-sustaining applications unless otherwise expressly indicated. Customers using or selling VPG products not expressly indicated for use in such applications do so entirely at their own risk and agree to fully indemnify VPG for any damages arising or resulting from such use or sale. Please contact authorized VPG personnel to obtain written terms and conditions regarding products designed for such applications.

Product names and markings noted herein may be trademarks of their respective owners.

Copyright Vishay Precision Group, Inc., 2014. All rights reserved.